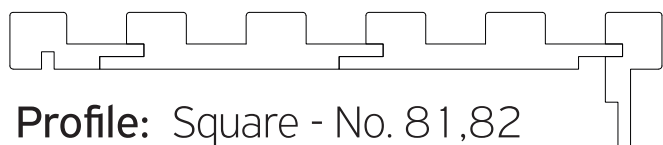
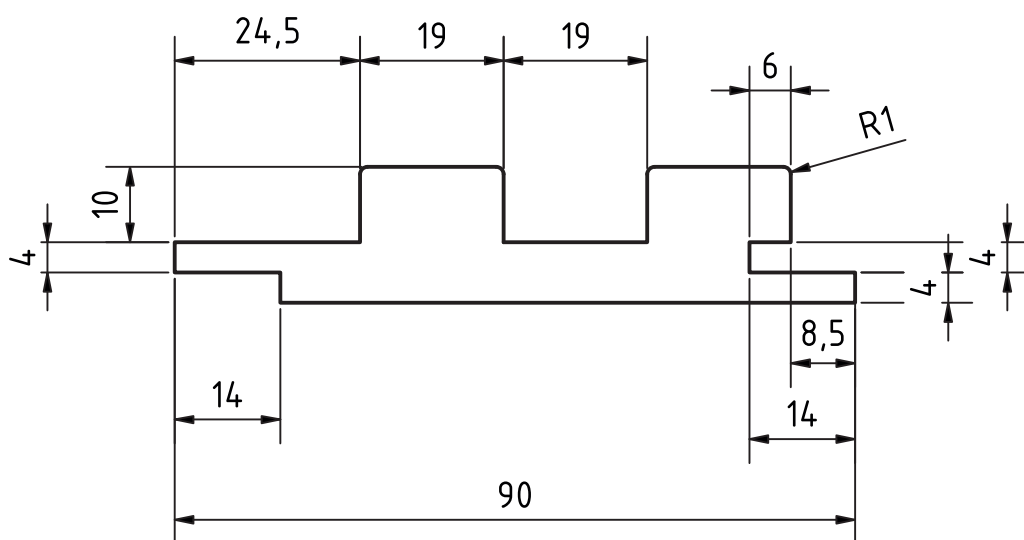
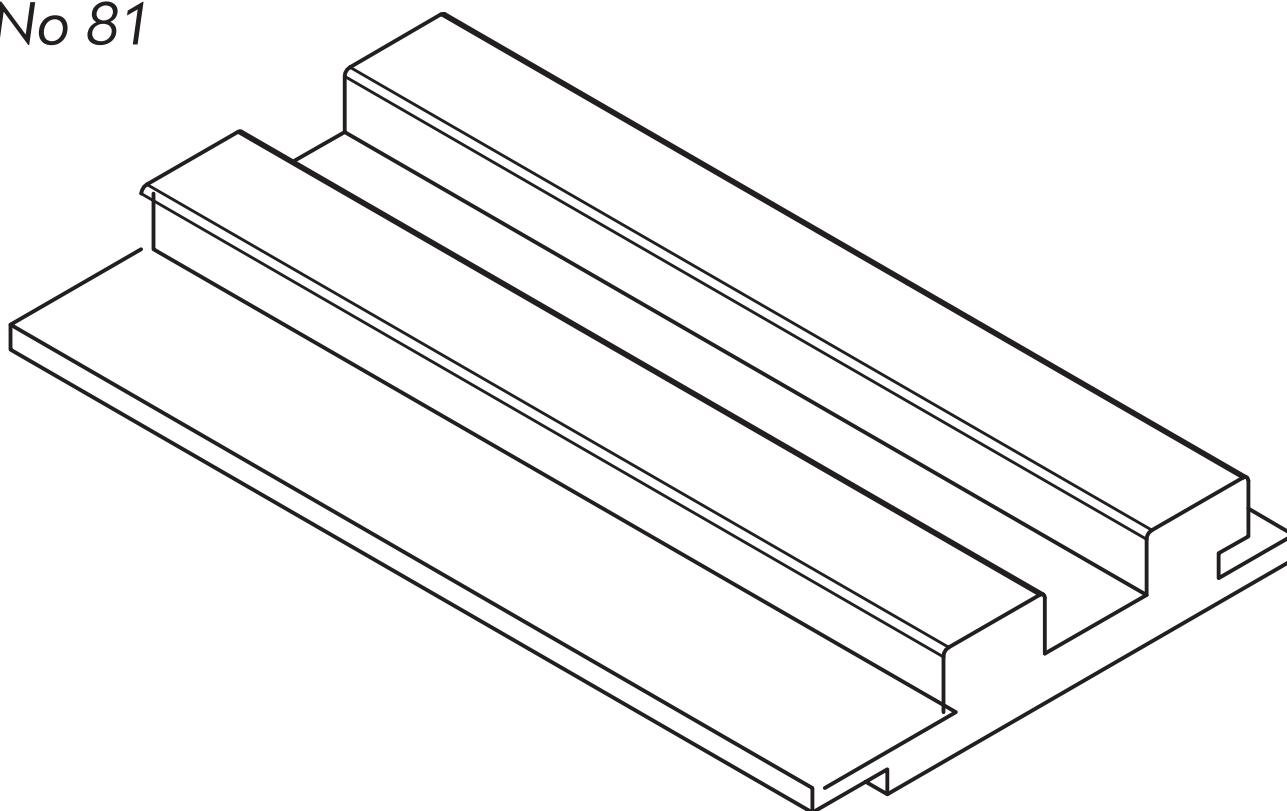


# Wall Cladding - CPL Profile



No 81



# Wall Cladding - CPL Profile



No 82

